

**2017 & 2023 Technical notes**

- 1) **Technical note N°1/2017**
- 2) **Technical note N°2/2017**
- 3) **Technical note N°1/2018**
- 4) **Technical note N°2/2018**
- 5) **Technical note N°1/2019**
- 6) **Technical note N°1/2023**
- 7) **Technical note N°2/2023**

**Technical note N°1/2017**

Due to recent failures and availability of updated technology, the RC44 Class Association has decided to permit the optional use of Harken 3T Aluminium V Block (Harken reference 3295AL) for the backstay, on any event following the publication date of this Technical Note.

The above permission will become part of the RC44 Class Rules 2017 and Appendix H will be amended as follows:

Where it says:

<b>Backstay</b>		
Custom	2	High load sheave in custom aluminium casing or 75mm Black Magic Single Loop Block H3230

It shall now say:

<b>Backstay</b>		
Custom	2	High load sheave in custom aluminium casing or 75mm Black Magic Single Loop Block H3230 or 3T Aluminium V Block H3295AL

The use of the high load sheave in custom aluminium casing produced by Pauger will be removed from the RC44 Class Rule in 2018.

Bertrand Favre

**Technical note N°2/2017**

- A) From 25<sup>th</sup> September 2017, the new one-design pit winches will be the following: Harken 50.2STR. The RC44 Class will not have spares for the old 44.2 STA winches anymore.
- B) From 25<sup>th</sup> September 2017, the length of the forestay strop shall be minimum 2700mm, the diameter remain the same.

The above changes become part of the RC44 Class Rules 2017 and Appendix H will be amended accordingly in the 2018 version of the Class Rules.

Bertrand Favre

**Technical note N°1/2018****A) Electronic B&G, CR App H**

A custom forestay load pin linked with a hybrid loadcell amplifier (and their related wirings) are allowed. One 20/20HV display can be replaced by a H5000 graphic display positioned on the mast bracket.

The items are provided by Osprey through the RC44 Support teams.

The 2019 version of the CR will be updated accordingly

**B) Max J definition**

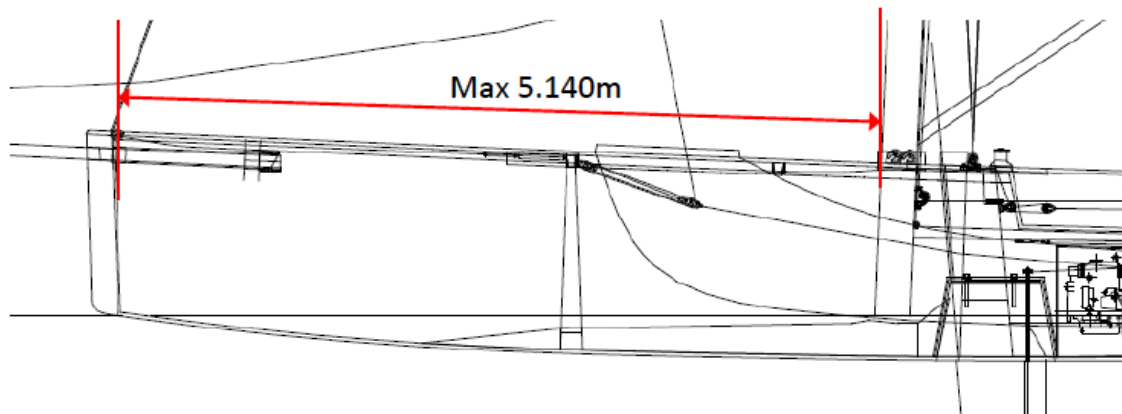
The J measure represents the horizontal longest distance for the foretriangle.

The J is measured from the backside of the forestay section in its most forward position, to the front side of the mast (excluding any track) at deck level in its most backward position (with enough tension in the runners).

The max J is defined at 5.140m measured at deck level with forestay in tension and mast in most backward position, from the backside of the forestay to the frontside of the mast section

The teams are allowed to modify the mast collar shape or mast collar position to reach the max J.

Should a team decide to do a modification on the boat, the work shall be documented. A report with picture shall be sent to the Class measurer. The new J shall be measured and recorded.



Bertrand Favre

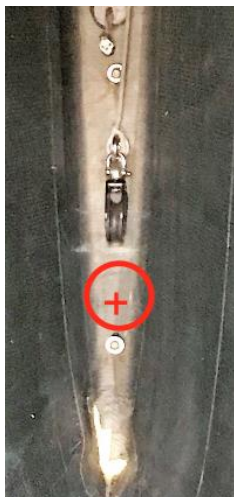
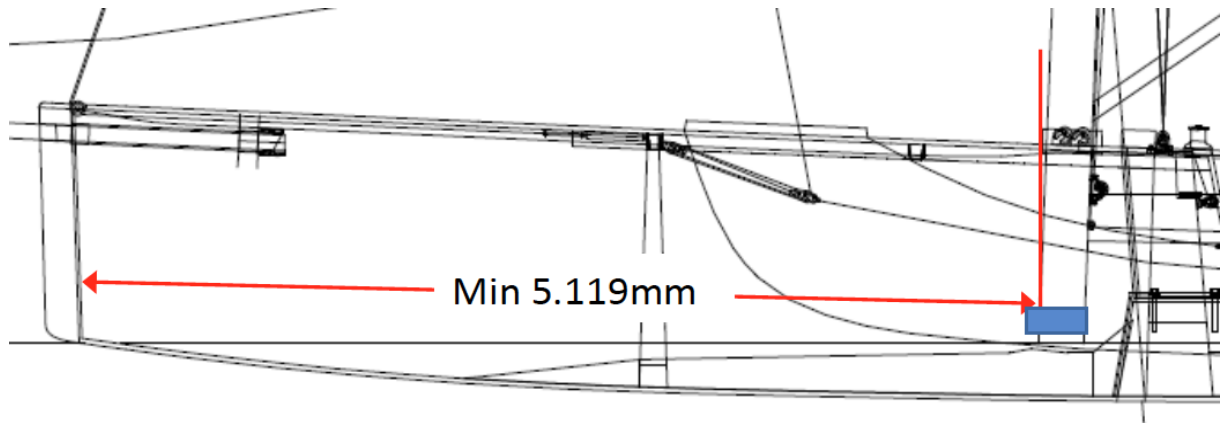
**Technical note N°2/2018****Position of the mast foot**

The position of the mast foot is defined as the distance between the backside of the bow (at the level of the bottom bolt of the crash-bow, 2cm above) up to the front side of the mast (just above the mast foot). That measure is done with sufficient tension in the runners.

The minimum distance from front face of the mast at mast foot top level to a target at bow 20mm above the bottom bolt of the crash-bow is **5.119mm**.

Should a team decide to do a modification on the boat, the work shall be documented. A report with picture shall be sent to the Class measurer. The new mast foot position shall be measured and recorded.

Bertrand Favre



## Technical note N°1/2019

### C.11.4 HEADSAILS

#### (a) USE

When in use, a **headsail** shall be attached to the tack fitting, its **luff** shall be attached to the headstay with soft hanks and the sail shall be sheeted through the headsail cars.

### G.4.2 CONSTRUCTION

(a) The construction shall be: **soft sail**.

(b) No battens are permitted for #1 Genoa.

(c) 4 battens are permitted for #2 and #3 Genoas.

(d) Use of PBO is not permitted.

(e) Apart from restrictions mentioned above, the parts and items attached to the genoas are not limited.

(f) The leech of #1 Genoa shall not have a convex curve.

### G.4.3 DIMENSIONS

See Appendix A.2.

Dimension	#1 Genoa	#2 Genoa	#3 Genoa
	maximum	maximum	maximum
<b>Luff length</b>	17 350 mm	17 300 mm	15 600 mm
<b>Clew Point to Luff (LP)</b>	6 900 mm	5 350 mm	5 100 mm
<b>Top width</b>	100 mm	90 mm	90 mm

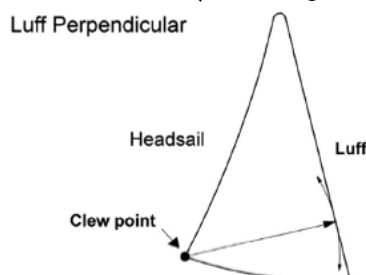
**Foot irregularity: max 50 mm**

For the measurement the zipper (if there is one) shall be shut, and there shall be at least 2 soft hanks.

The head width and the luff length are limited by the dimensions set in G.4.3 A.2 , and measured as defined in the ERS (G.5.6).



The LP dimension is limited by the dimensions set in G.4.3 A.2 , and measured as defined in the ERS G7.12 (including the zipper)



**Technical note N°1/2023**

## Appendix H – Hydraulic system

The forestay ram ref HCL-10B is not produced by Reckmann anymore.  
The new approved forestay ram ref is HCL.II-10/B. When using the new ram, the max pressure on the pump shall be set at 350 bars.

**Technical note N°2/2023**

## Appendix H – Running Rigging Specification

PBO cover is allowed for the following items:

1. Main sheet
2. Jib sheets
3. Spinnaker sheets

For item 3 spinnaker sheets, the minimum diameter is 7mm

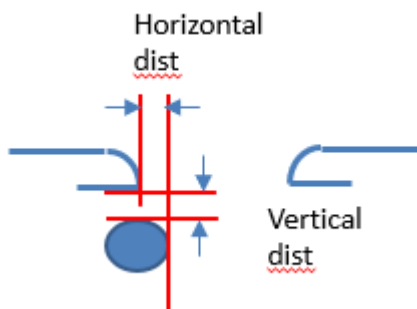
**Spinnaker Roller position**

The Spinnaker roller position is defined as follows:

Maximum horizontal forward distance of the roller: 90mm

Maximum vertical lower distance: 110mm

Distances measured as per drawing below:



The above points will be included in the 2024 version of the Class Rules.